

6

5

4

3

2

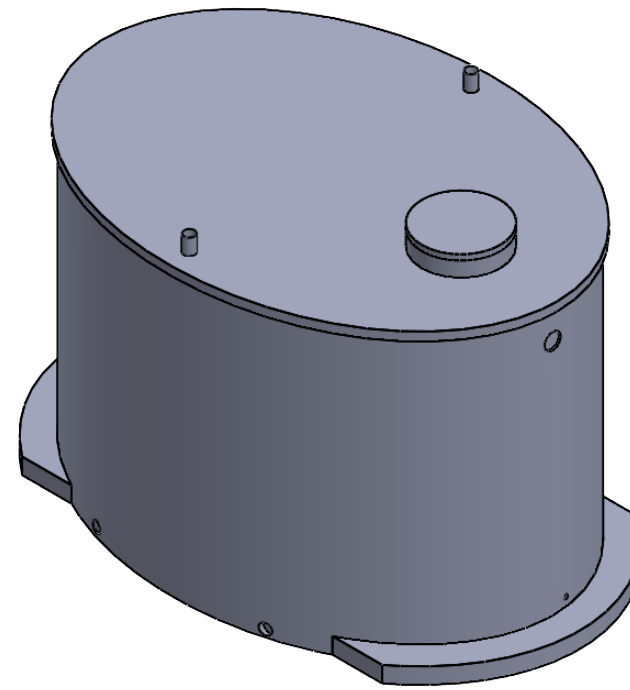
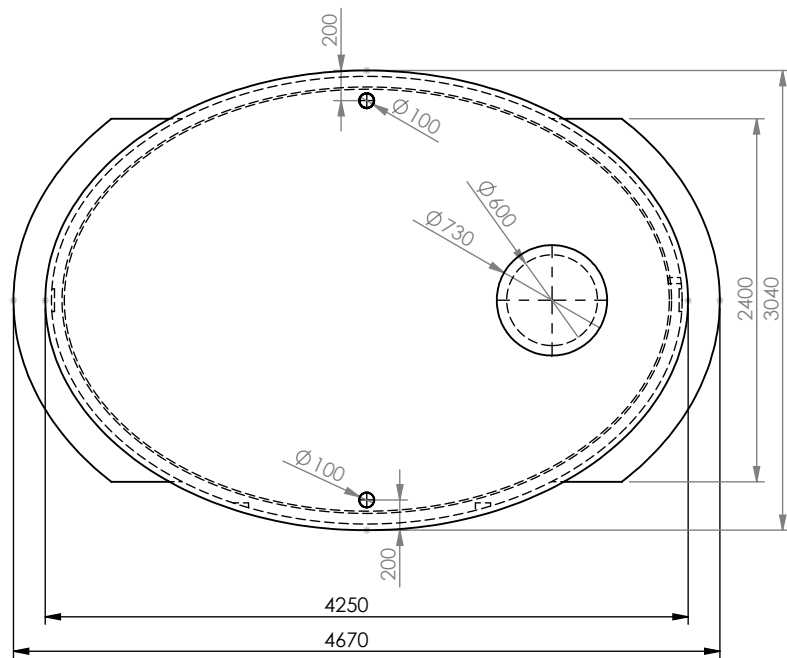
1

D

D

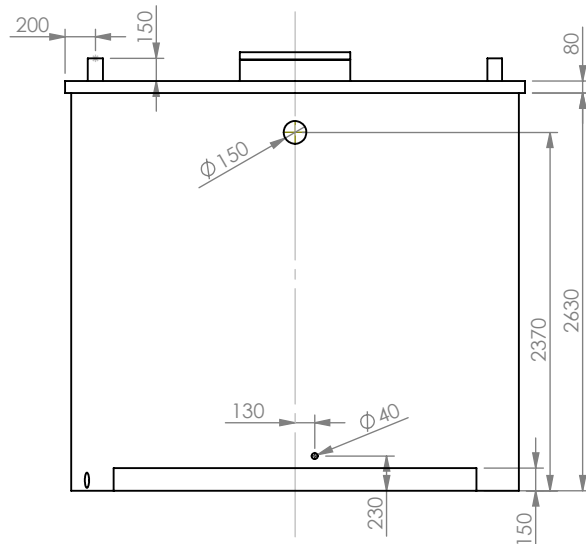
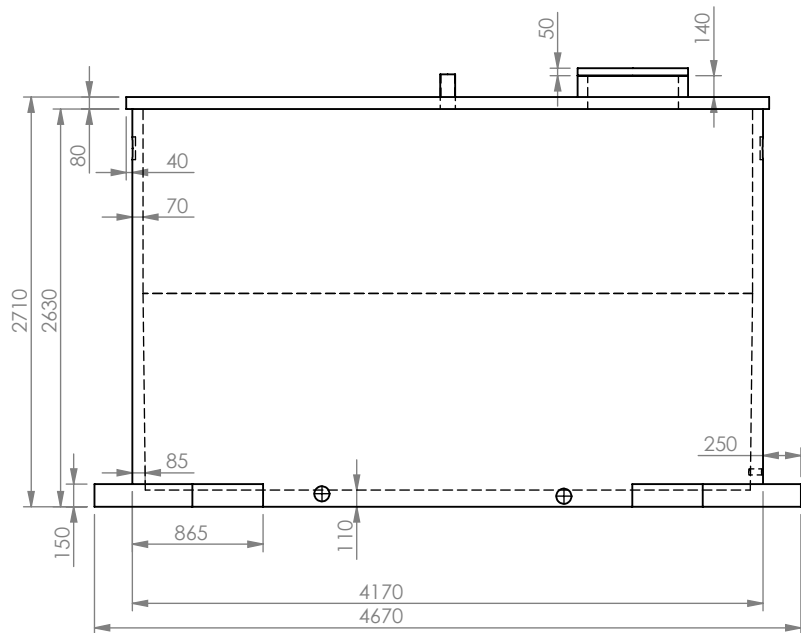
C

C



B

B



TITLE:
23000L Oval Water Tank

DWG NO. **001** A4

6

5

4

3

2

1

A

A